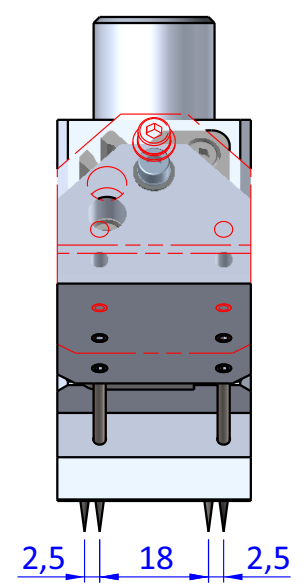
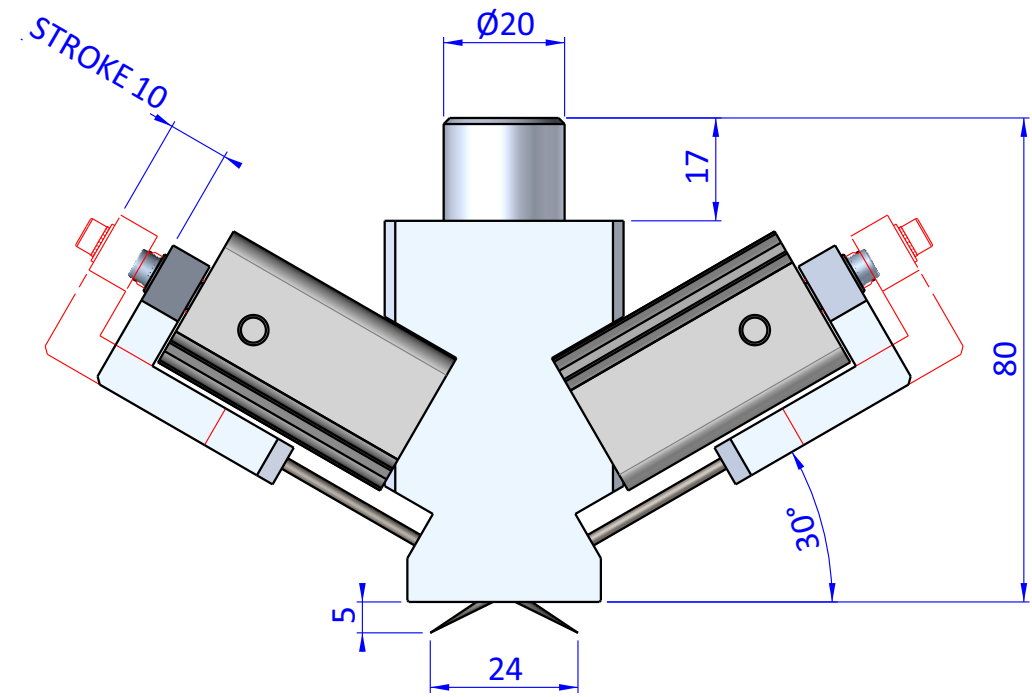
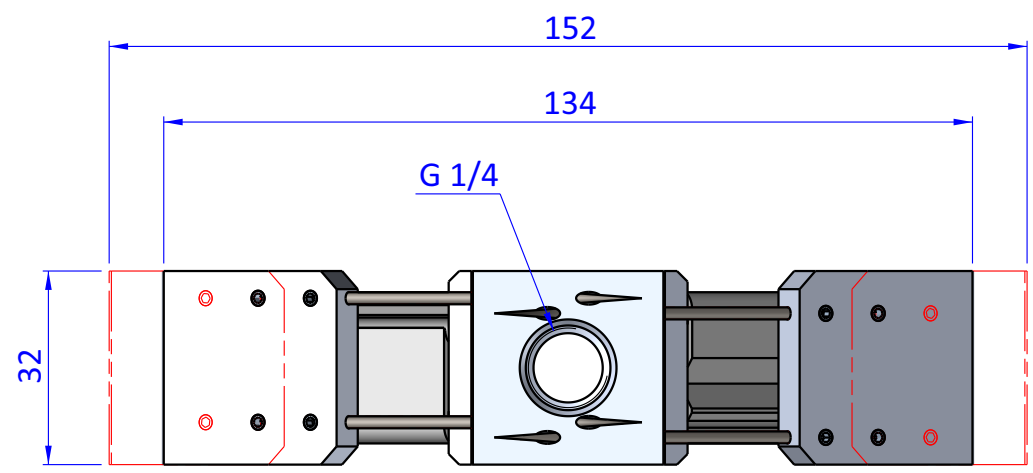
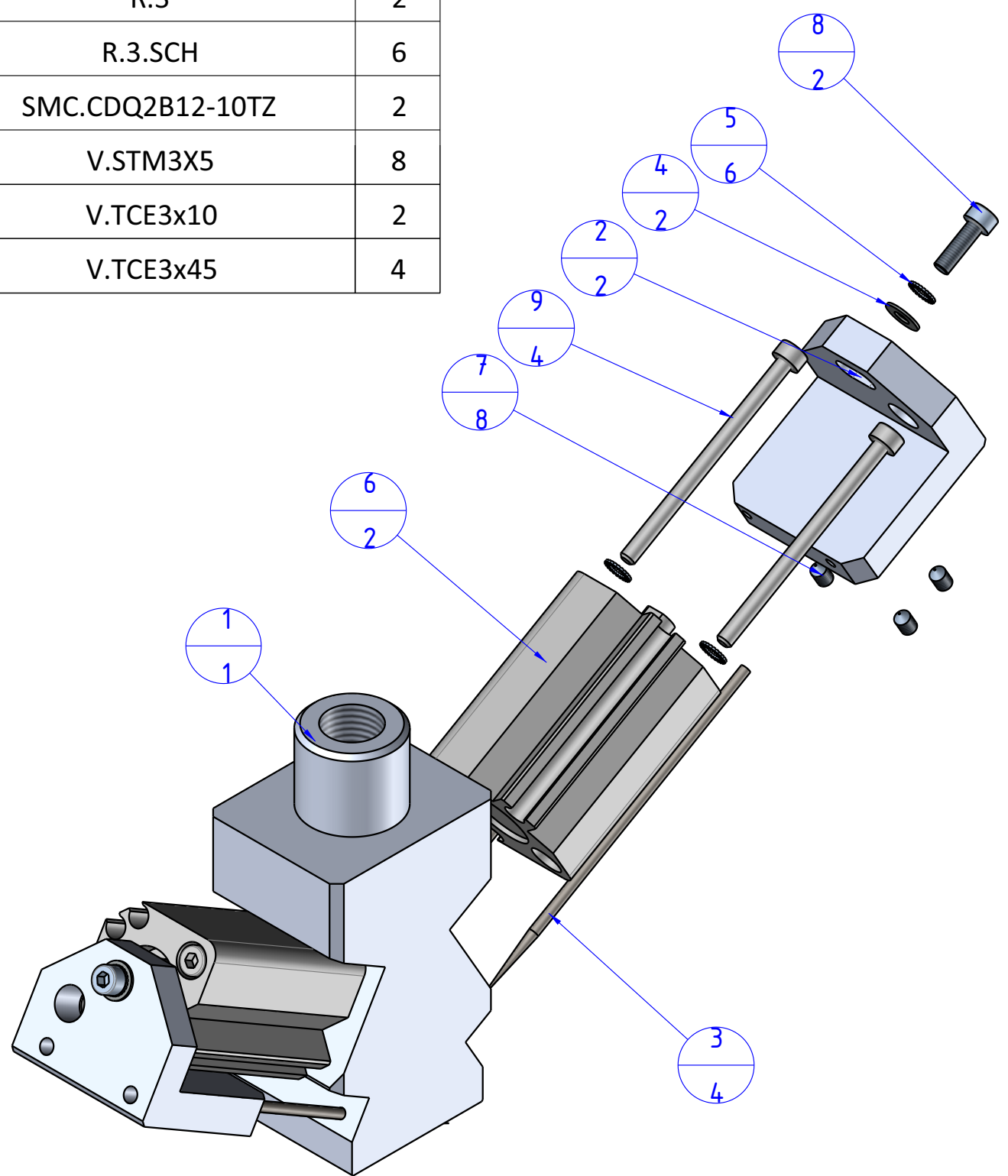



THE PROPERTY OF THE DRAWING IS ESTABLISHED BY LAW. IT IS FORBIDDEN TO PRODUCE OR SHOW IT TO THIRD PART - WITHOUT A WRITTEN AGREEMENT.

Item	Name	Q.ty
1	PAA.CF.01	1
2	PAA.CF.02	2
3	PAA.CF.03	4
4	R.3	2
5	R.3.SCH	6
6	SMC.CDQ2B12-10TZ	2
7	V.STM3X5	8
8	V.TCE3x10	2
9	V.TCE3x45	4



Format A3
UNI 936-76

 FPS FPSERVICES AUTOMATION		DESIGNED FROM		REVIEW
		FPS Automation		A
GENERAL TOLERANCE		DATE		WEIGHT
UNI - ISO 2768		08/06/2022		0,230kg
CLASSE f		CODE		
CA.PAA.CF		CA.PAA.CF		